



Build It With



— Shaker-Style —  
**STEP STOOL**



## Step-By-Step Plans: DIY Step Stool

Folks, if you're looking for an easy but fun woodworking project, we've got you covered! Why not spend a couple hours in your shop or garage making our latest [Build It With Baird](#) design - a custom red oak step stool!

We've got your plans, tools and materials all listed out below. Now, all you need to do is start making some sawdust!

### TOOLS NEEDED:

- Tape Measure
- Speed Square
- Framing Square
- Level
- Sandpaper
- Clamps
- Brad Nailer
- 18 Gauge 1-1/4" Brad Nails
- 18 Gauge 1-1/2" Brad Nails
- Drill
- Kreg 1-1/4" Screws (per manufacturer tool guidelines)
- Kreg Pocket-Hole Jig 720PRO
- Miter Saw
- Table Saw
- Compact Router
- Pencil
- Small chunk of wax (leftover cable wax)
- Wood Glue

### MATERIALS NEEDED:

- 6 feet 3/4" x 11.5" [Red Oak or choice hardwood species](#)
- 2 feet 3/4" x 2 1/2" [Red Oak or choice hardwood species](#)
- Paper template

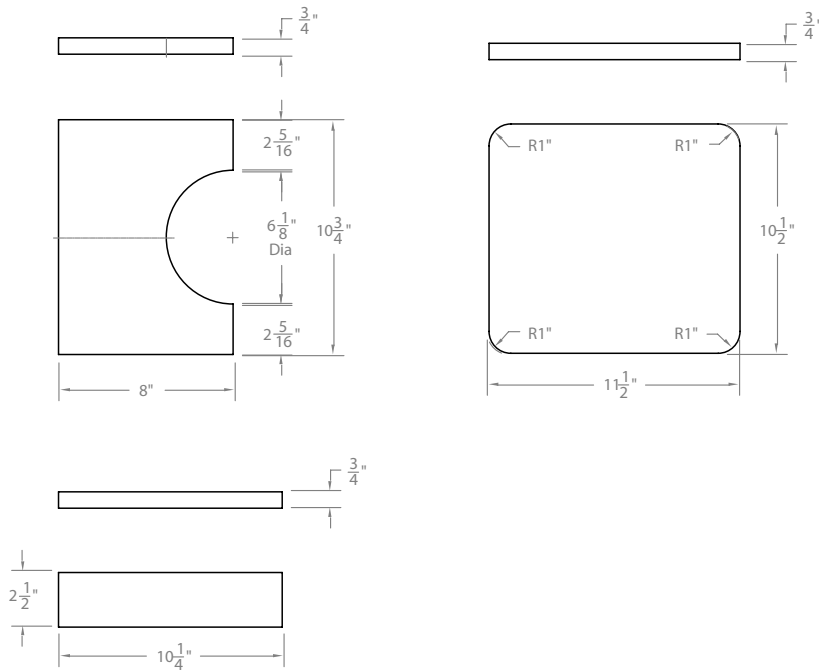
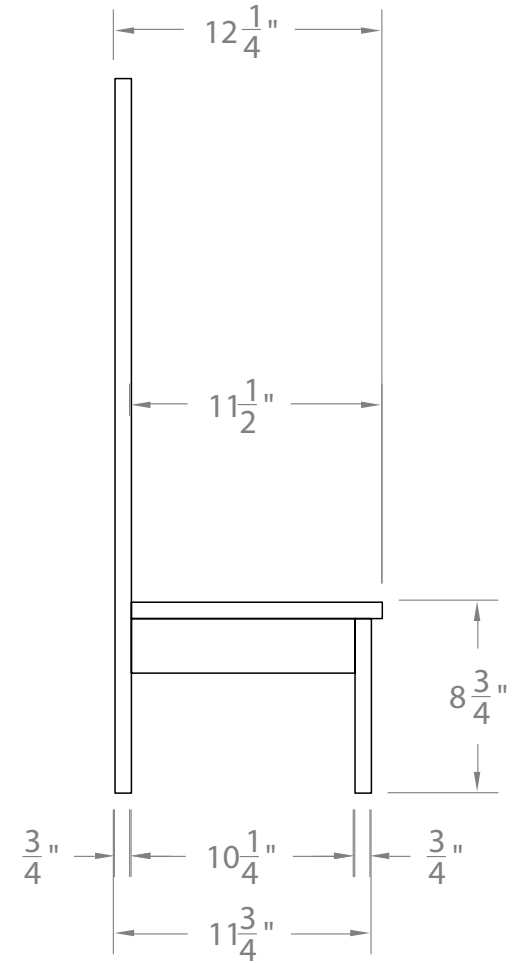
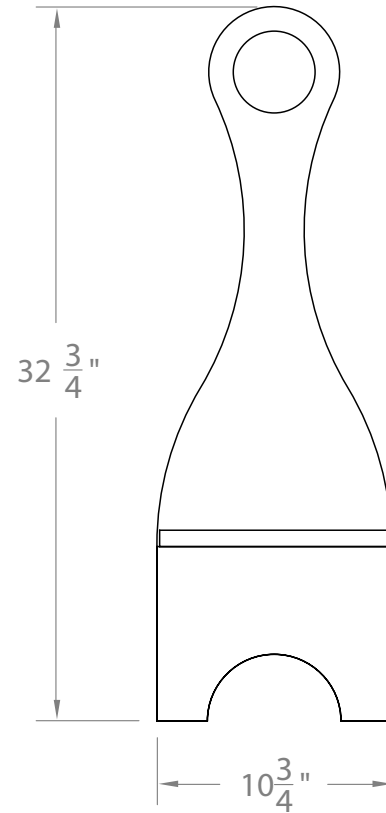
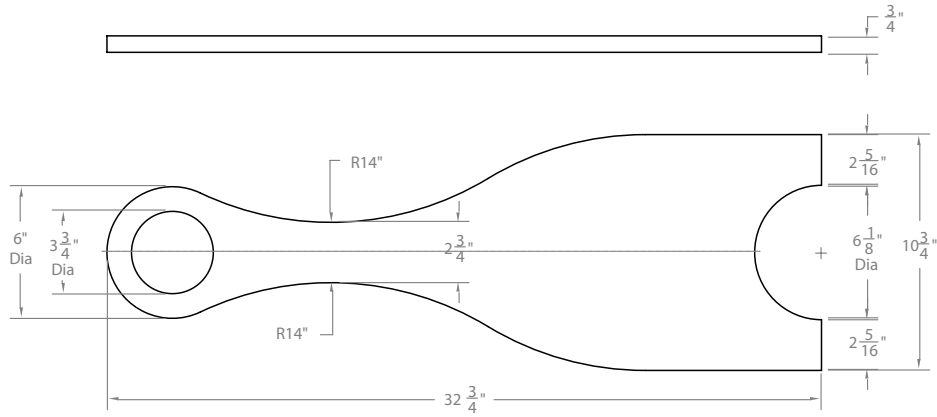
**NOTE:** Front and back leg patterns are provided at the end of this guide. We recommend taking these plans to your local printer to ensure the most accurate measurements.

Watch the video tutorial [here](#):



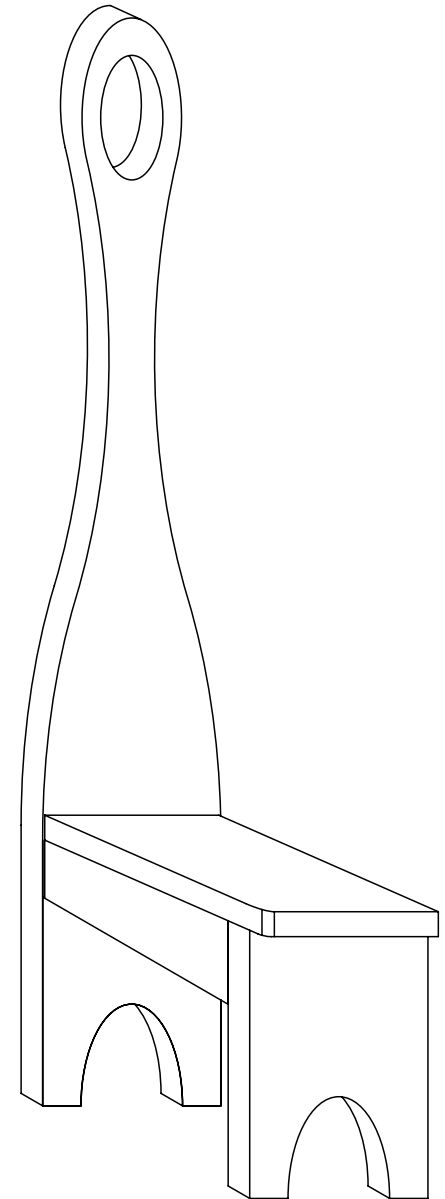
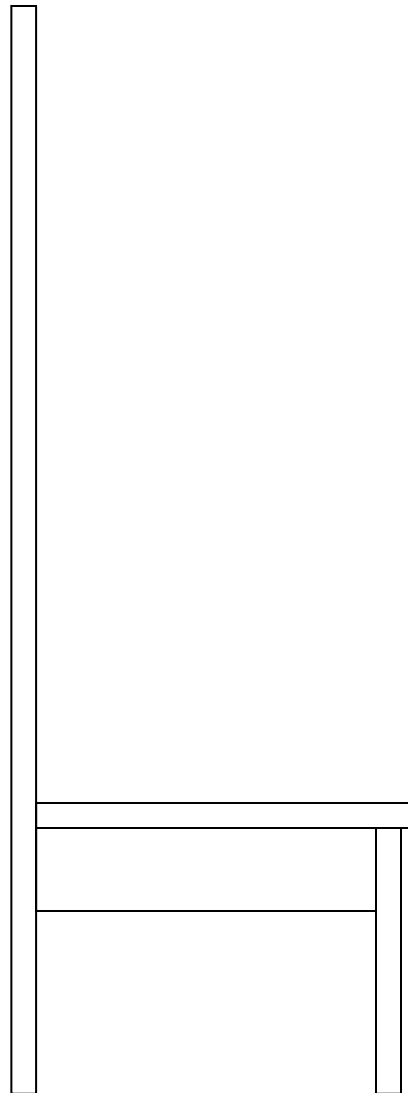
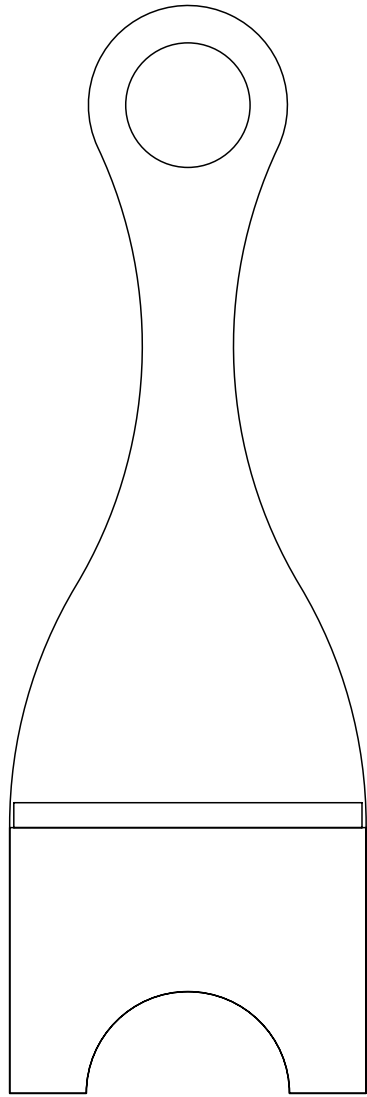


# BUILD IT WITH BAIRD / SHAKER-STYLE STEP STOOL





# BUILD IT WITH BAIRD / SHAKER-STYLE STEP STOOL

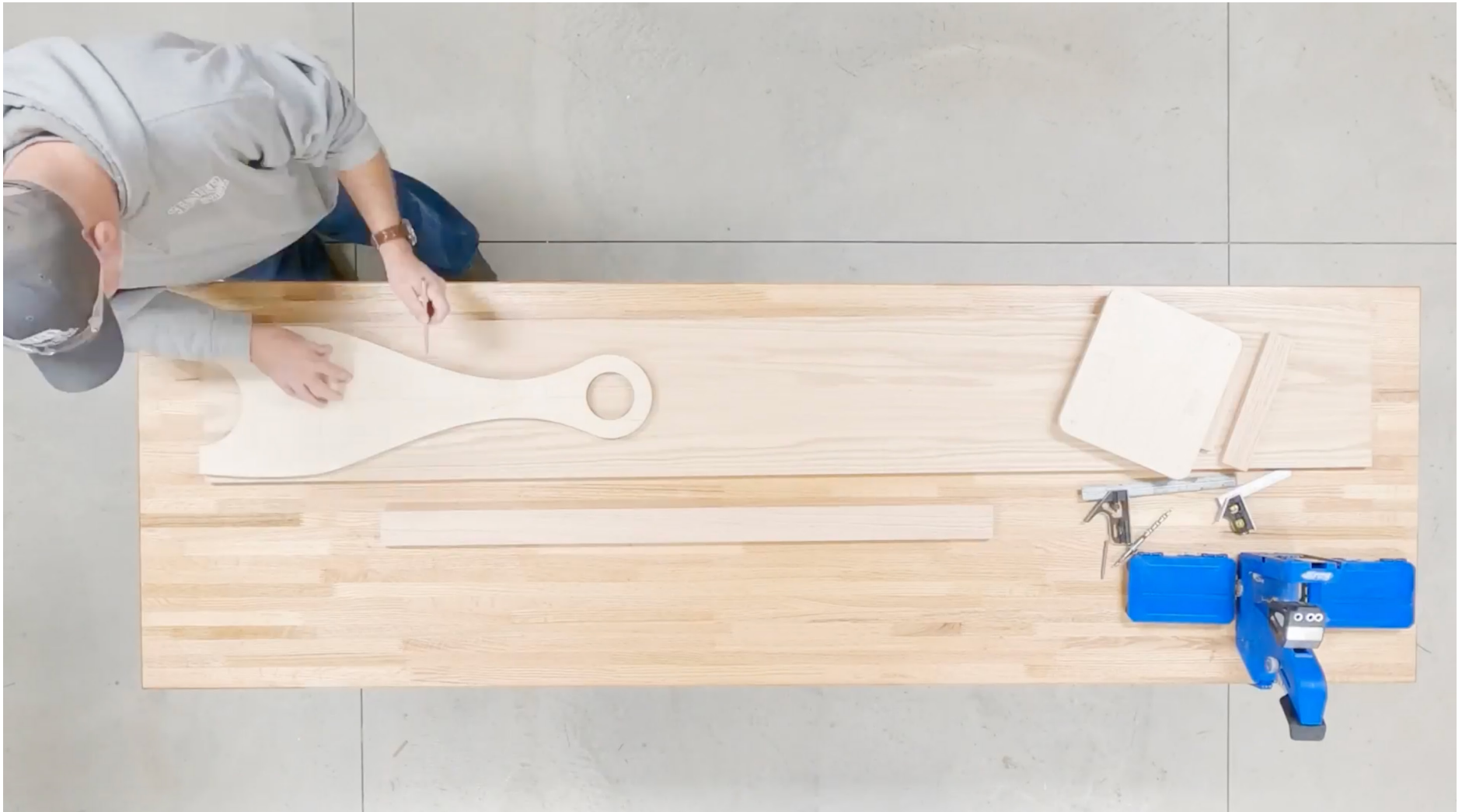






## Step 1

Lay out your paper template onto the S4S lumber or scrap wood.  
Trace patterns onto the wood planks with a pencil.





## Step 2

By hand, cut along the traced patterns with aid of the miter box. Cut the rounded edges with your jigsaw. Remove any roughness or jagged edges with an orbital sander. If template was traced onto scrap wood first, use your wood template to trace lines on red oak or choice wood. Repeat cuts and remove roughness.







# BUILD IT WITH BAIRD / SHAKER-STYLE STEP STOOL

## Step 3

Prep for assembly by marking screw placement and basic layout lines with a pencil.

## Step 4

Place the wood pieces into the [Kreg Pocket-Hole Jig](#), and drill the pocket holes where the Kreg screws will go.





## Step 5

Soften the edges of the wood pieces with a compact router (NOTE: Do not use the router on bottoms of stool or edges of stretcher/step pieces that connect parts of the stool.) We used a 1/8" router bit for a soft radius.







## Step 6

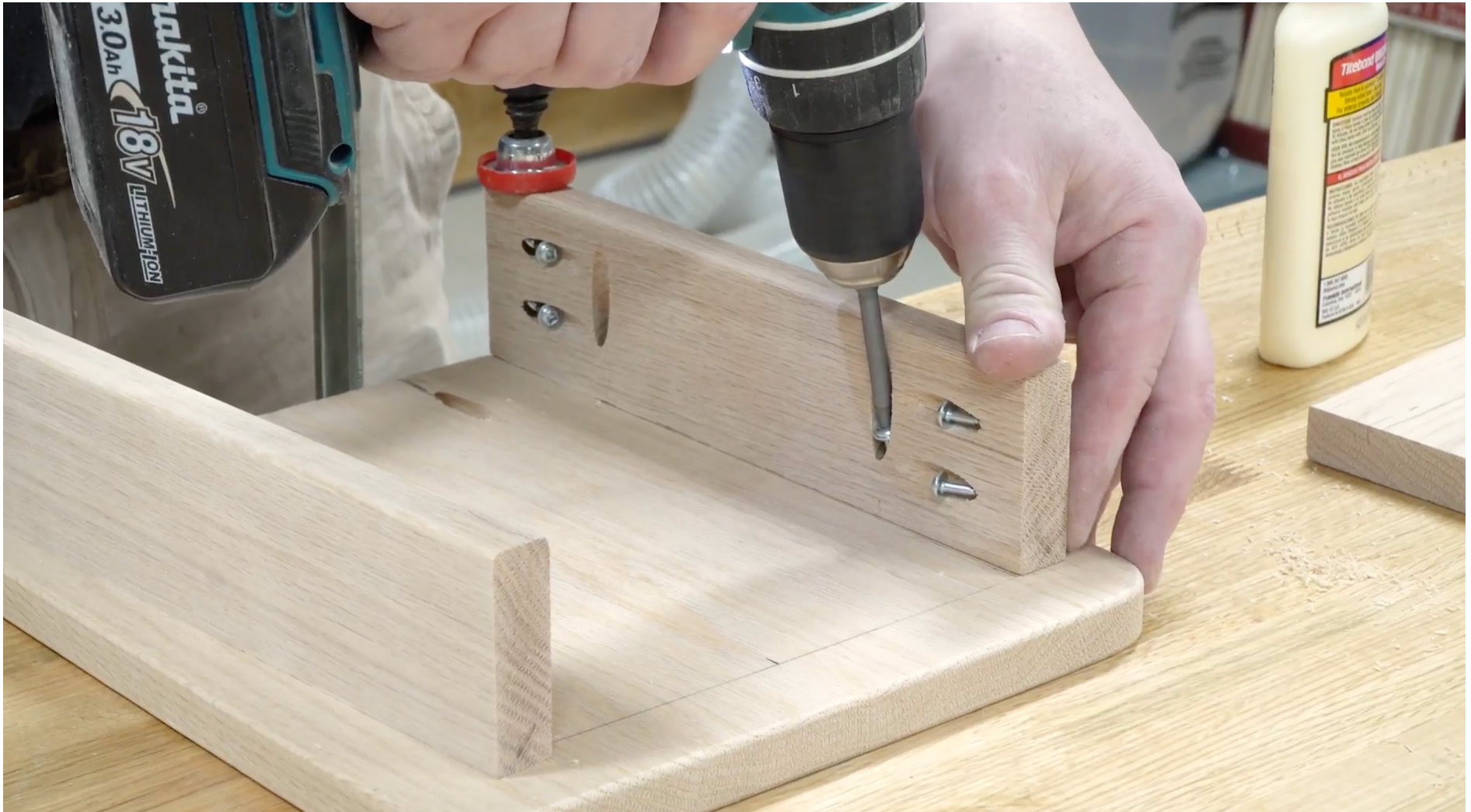
Rub the wax on screws, which helps to lubricate them and prevents the screws from splitting the wood.





## Step 7

Use small amounts of wood glue and screw the pieces of wood together, following the outlines traced in Step 3.







## Step 8

Complete the stool with the stain and/or finish of your choice.

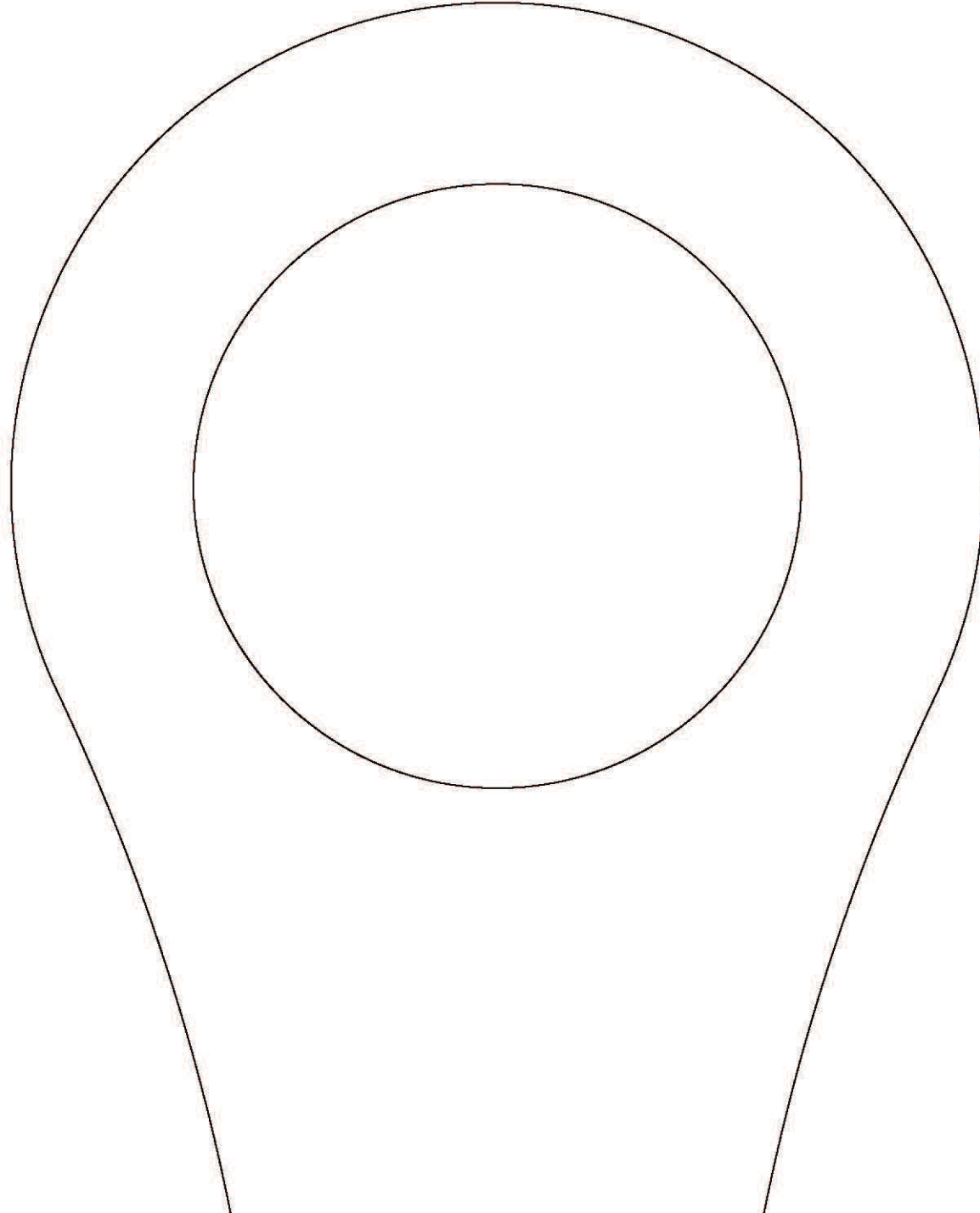


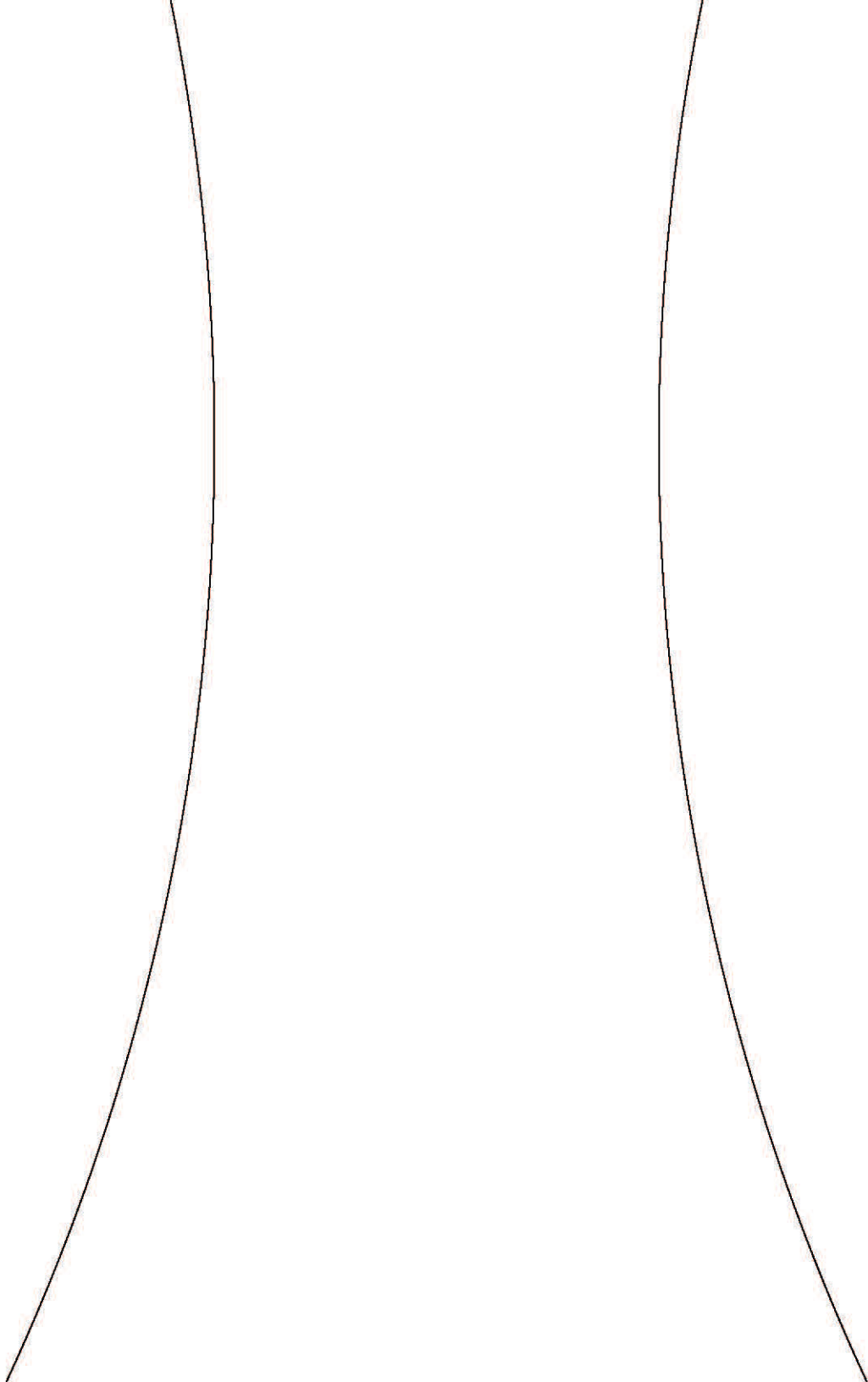
This DIY step stool project is great for a lazy Sunday afternoon or time spent with little ones in the shop! Remember, after you complete this easy-to-do build, be sure to tag us on social.

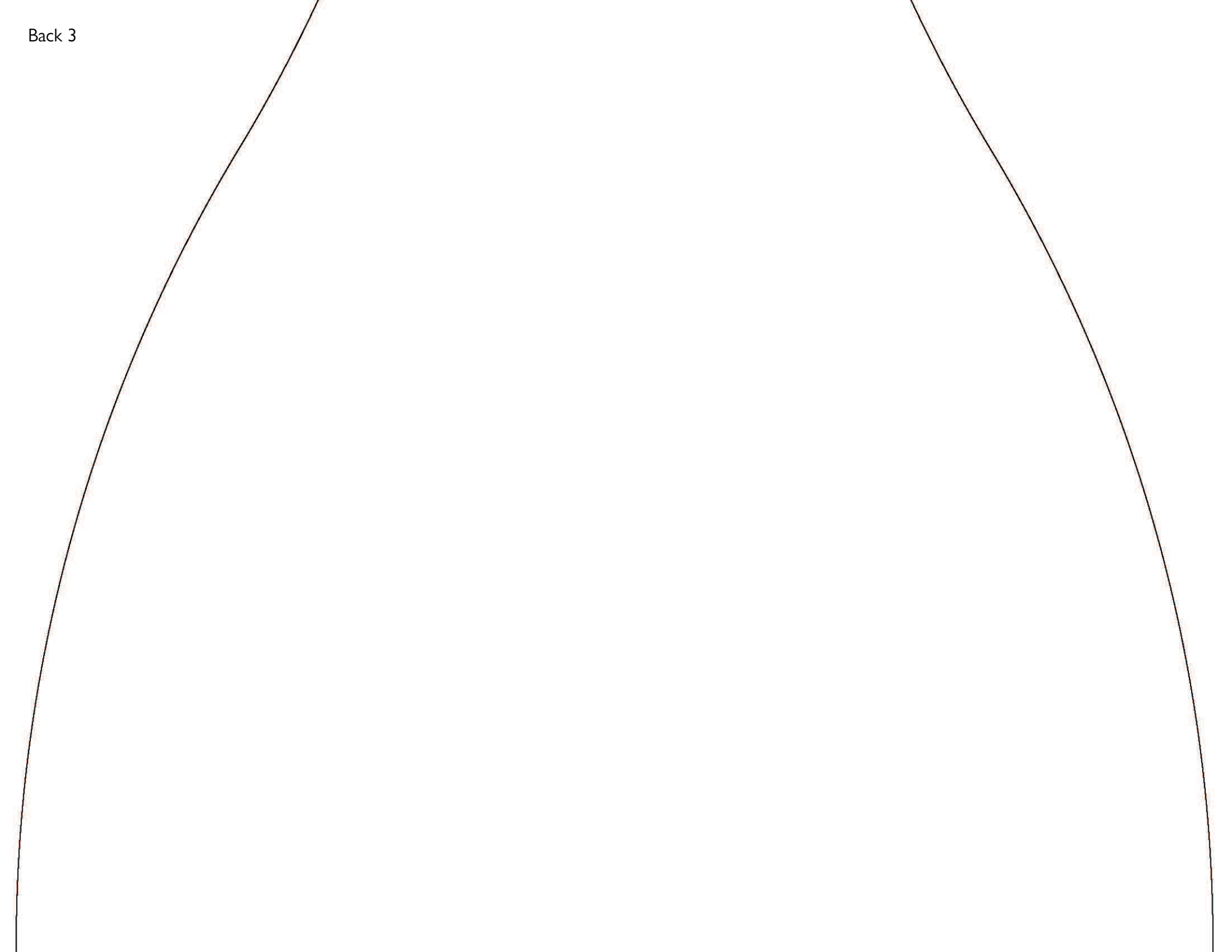
Every day is a great day if you're making sawdust!  
Until next time!



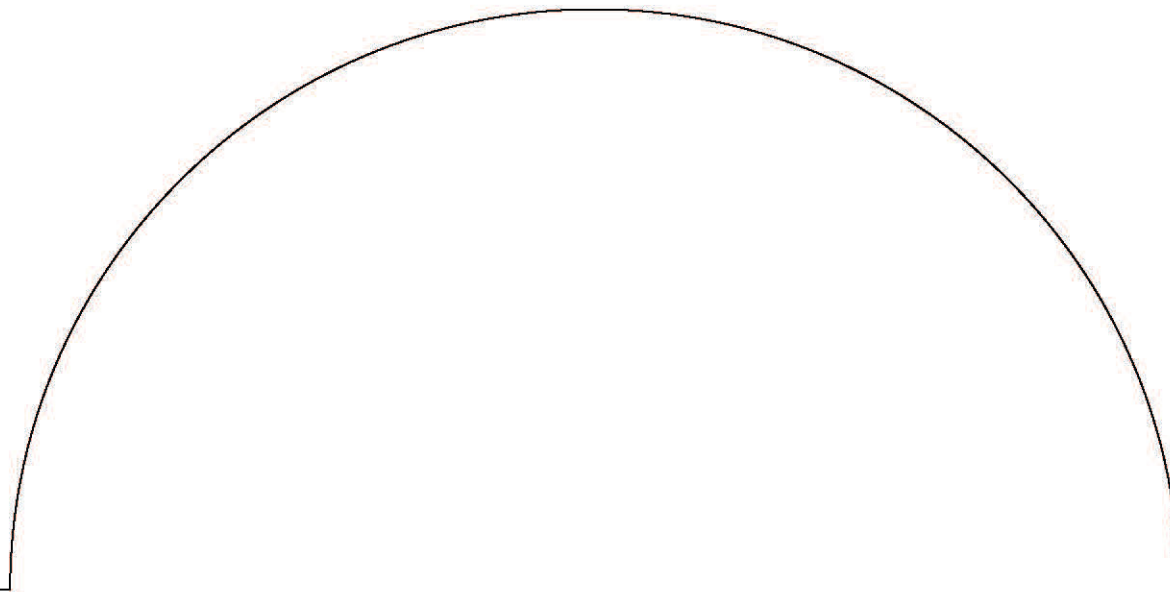
**NOTE:** We recommend taking these plans to your local printer to ensure the most accurate measurements.











Front Legs

